



***KYODO TRANSPORT (THAILAND) CO. , LTD.***

***Company Profile***

# Kyodo Transport Business Profile

Established

January, 2013

Capital

THB 4,000,000

Managing Director

Katsumi Nishi

Head Office

Address

5, Soi Bangna-Trad 25, Debaratana Rd.,  
Bangna Nuea, Bangkok 10260 Thailand.  
Tel. 02-173-6422-3 Fax. 02-361-8890

Main facilities

Office Area	150 m <sup>2</sup>
Passenger car	1 vehicle
Employee	5 staffs (Japanese 1)

Gateway Office (c/o Kansai Paint)

Address

350 Moo 7 Tambol Huasamrong, Amphur  
Plangyao, Chachoengsao 24190 Thailand.  
Tel.038-575-170(Direct Line) ,094-547-1382

Main facilities

Office	80 m <sup>2</sup>
Warehouse 1 area	3,000 m <sup>2</sup>
Warehouse 2 area	3,000 m <sup>2</sup>
Six-wheel vehicle	3 Trucks
Four-wheel vehicle	3 Trucks
Diesel Forklift	2 vehicles
Electric Reach Forklift	3 vehicles
Employee	21 staffs

# Kyodo Transport Group

**Parent company :** KYODO TRANSPORT CO.,LTD.  
**Head Office** 17-31,Kobayashi,1-Chome, Taisho-ku  
Osaka, 551-0013, Japan  
Tel. 06-6556-2235~6 Fax.06-6556-2238  
[URL:HTTP://www.kyodo-transport.com](http://www.kyodo-transport.com)

**Tokyo Branch** 3-4, Nihonbashi-honcho 3-chome,  
Chuo-ku, Tokyo, 103-0023, Japan  
Tel. 03-6262-3707 Fax.03-6262-3709

**Brother company**  
KYUEI KYODO LOGISTICS (SHANGHAI) LTD.  
RM.2001, ENTERPRISE SUITS, 219 GONG HE ROAD,  
SHANGHAI, PRC,200070,CHINA.  
Tel. 86(021)5213-8022(Direct) 86(021)5187-0811  
Fax.86(021)5213-8077(Direct) 86(021)6253-2900



# Kyodo Transport Network

## BANGKOK

WORLDNET KYODO-HIFREIGHT INTERNATIONAL CO.,LTD.  
279/121 Grand I Design Village, Vipavadee Road,  
Snambin Don Muang, Bangkok 10210 THAILAND.  
Tel. 02-532-4424

## LAEM CHABANG OFFICE

WORLDNET KYODO-HIFREIGHT INTERNATIONAL CO.,LTD.  
49/10 Moo 5, IEAT Building, Sukhumvit Road. T.Tung sukla,  
A.Sriracha, Chonburi 20230 THAILAND.

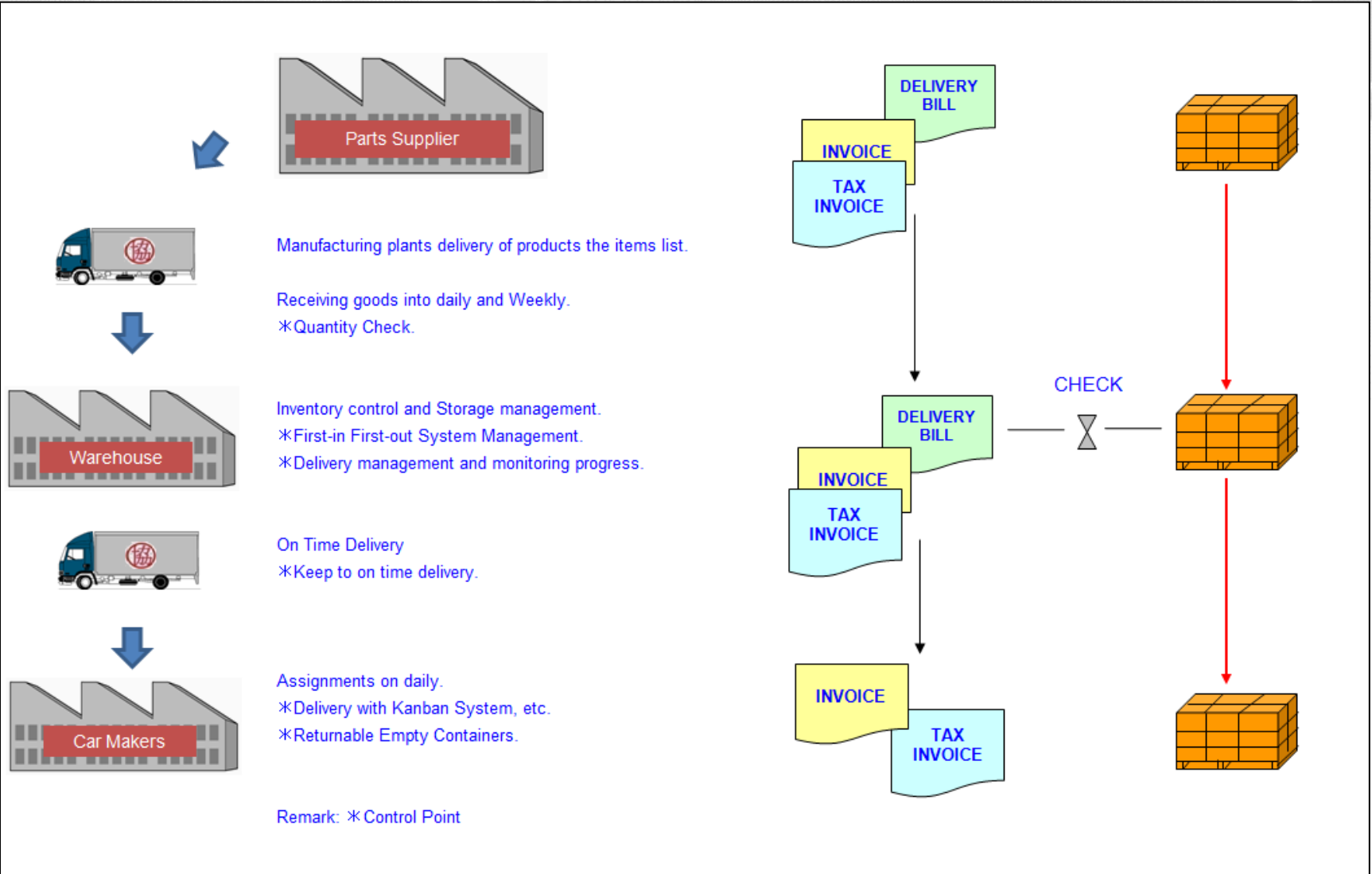
## VIENTIANE OFFICE

WORLDNET KYODO-HIFREIGHT INTERNATIONAL CO.,LTD.  
Block 3 Phon Thong Village, Chantabouly District,  
Vientiane Capital 01080 LAOS PDR.

# Kyodo Transport Main Business

- Warehouse Management for Kansai Paint
- In and Out bond Transportation Service
- Import, Export and Forwarding (Sea freight, Air freight)
- Equipment and machinery installation

# Transportation Services for Automotive Parts



# Transportation Services for Automotive Parts

## 自動車部品メーカーの搬入代行業務



\* 管理ポイント

生産、納入指示数単位での出荷

日、隔日、週単位での集荷

\* 数量の確認を実施



保管、在庫、出荷管理

\* 在庫管理、先入先出し管理  
\* 端数管理、納入進度管理

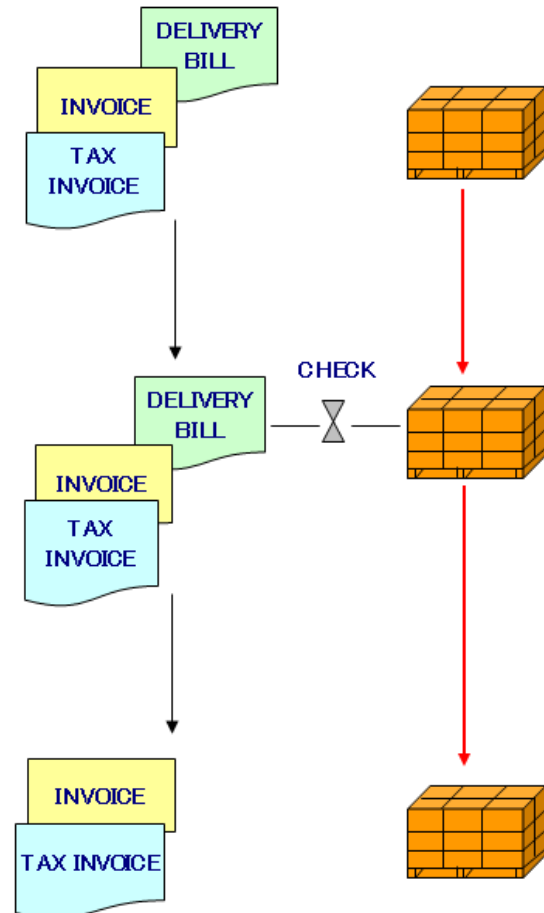
時間、日単位の運送

\* 搬入時間の厳守



時間、日単位の搬入指示

\* 搬入指示書、カンバン等の回収  
\* 空容器回収

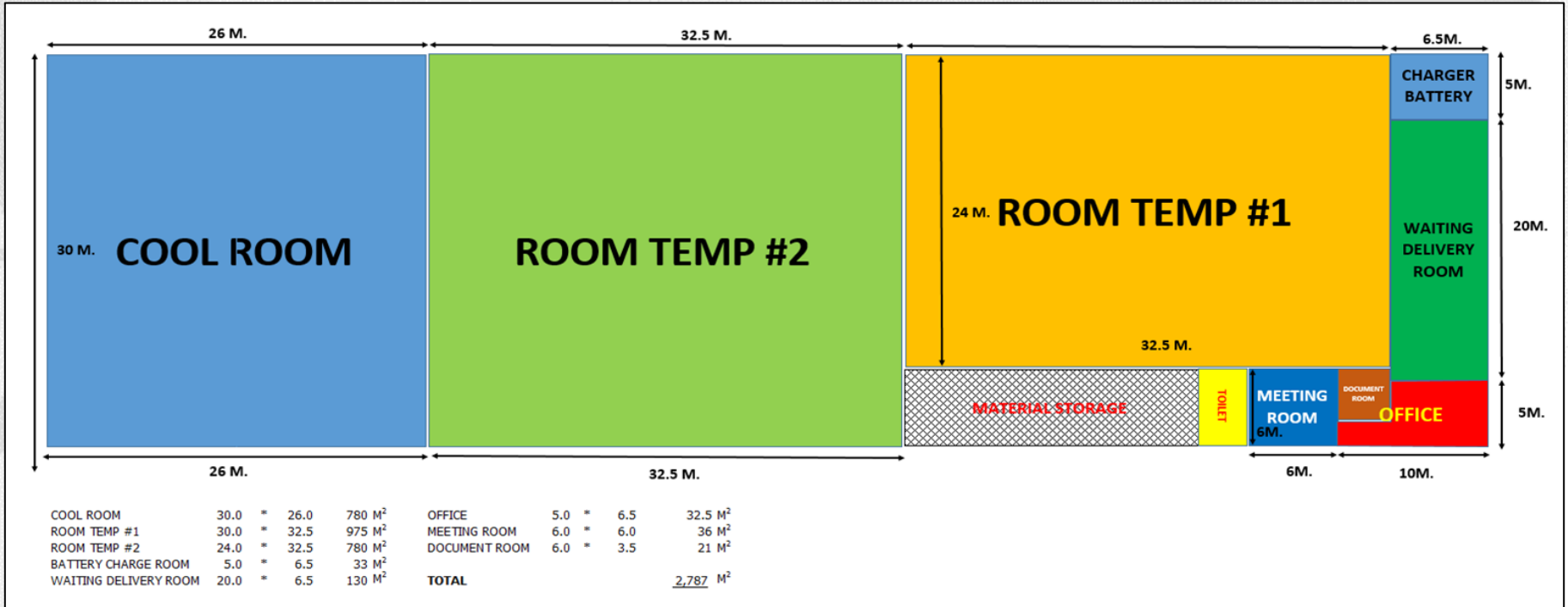








# Kansai Paint Gateway Warehouse 1



# Kansai Paint Gateway Warehouse 2

